

| PROJECT | QUANTITY | ITEM NO |
|---------|----------|---------|
|---------|----------|---------|

# Fryer Dump Table

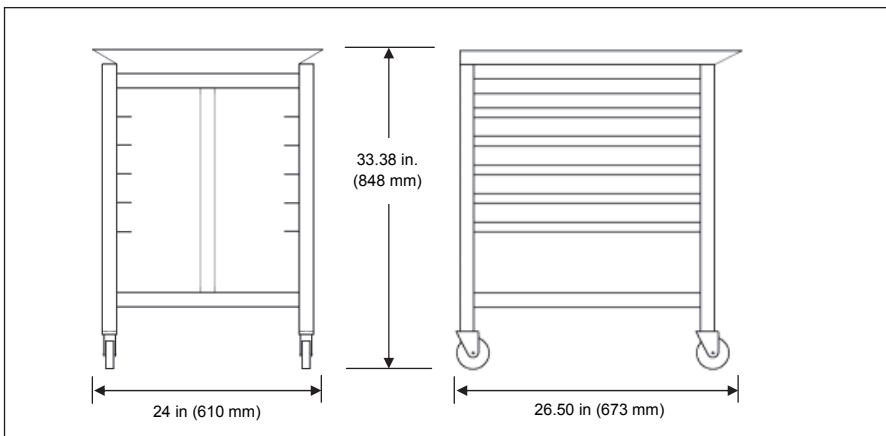
**DT 221**



Henny Penny dumping tables help improve the productivity of fryers and crew by making the task of accumulating and transferring cooked product easier and more efficient.

The Henny Penny DT 221 is a heavy-duty, mobile dump table with locking casters and a specially designed dump pan for use adjacent to Henny Penny fryers.

DT 221 fryer dump table shown with grid and sheet pans (available separately)



### Standard Features

- Sturdy welded stainless steel construction
- Stainless steel dumping pan with flared sides to reduce product damage and waste
- Dump pan holds one full size sheet pan with grid (available separately)
- Dump pan detaches for easy cleaning
- Removable pan rack inserts hold up to five full size sheet pans and grids (available separately)
- 4 heavy-duty swivel casters, 2 locking

### Dimensions

|        |          |          |
|--------|----------|----------|
| Height | 33.38 in | (848 mm) |
| Width  | 24.00 in | (610 mm) |
| Depth  | 26.50 in | (673 mm) |

### Capacity

Dumping pan accepts 1 full size sheet pan  
18 x 26 in (457 x 660)  
Racking for up to 5 full size sheet pans  
18 x 26 in (457 x 660)

### Crated

|        |                    |                        |
|--------|--------------------|------------------------|
| Length | 31 in              | (785 mm)               |
| Depth  | 25 in              | (635 mm)               |
| Height | 33 in              | (840 mm)               |
| Volume | 15 ft <sup>3</sup> | (0.42 m <sup>3</sup> ) |
| Weight | 69 lb              | (31 kg)                |

### Laboratory certifications



Continuing product improvement may subject specifications to change without notice.

### Bidding specifications

Provide Henny Penny model DT 221 dump table for accumulating fried product from Henny Penny fryers.

Unit shall incorporate:

- High quality welded stainless steel table frame, racks and dumping pan
- Dumping pan with flared edges that match height of Henny Penny fryer deck.
- Dumping pan and lower racks accept standard sheet pans, available separately
- 4 swivel casters, 2 locking

|                                   |  |                                   |
|-----------------------------------|--|-----------------------------------|
| <input type="checkbox"/> APPROVED | <input type="checkbox"/> APPROVED AS NOTED | <input type="checkbox"/> RESUBMIT |
| AUTHORIZED SIGNATURE              |  | DATE                              |

**Henny Penny Corporation**  
PO Box 60 Eaton OH 45320 USA  
+1 937.456.8400 800.417.8417  
+1 937.456.8434 Fax 800.417.8434 Fax  
+1.800.417.8405 Technical Support

[www.hennypenny.com](http://www.hennypenny.com)

